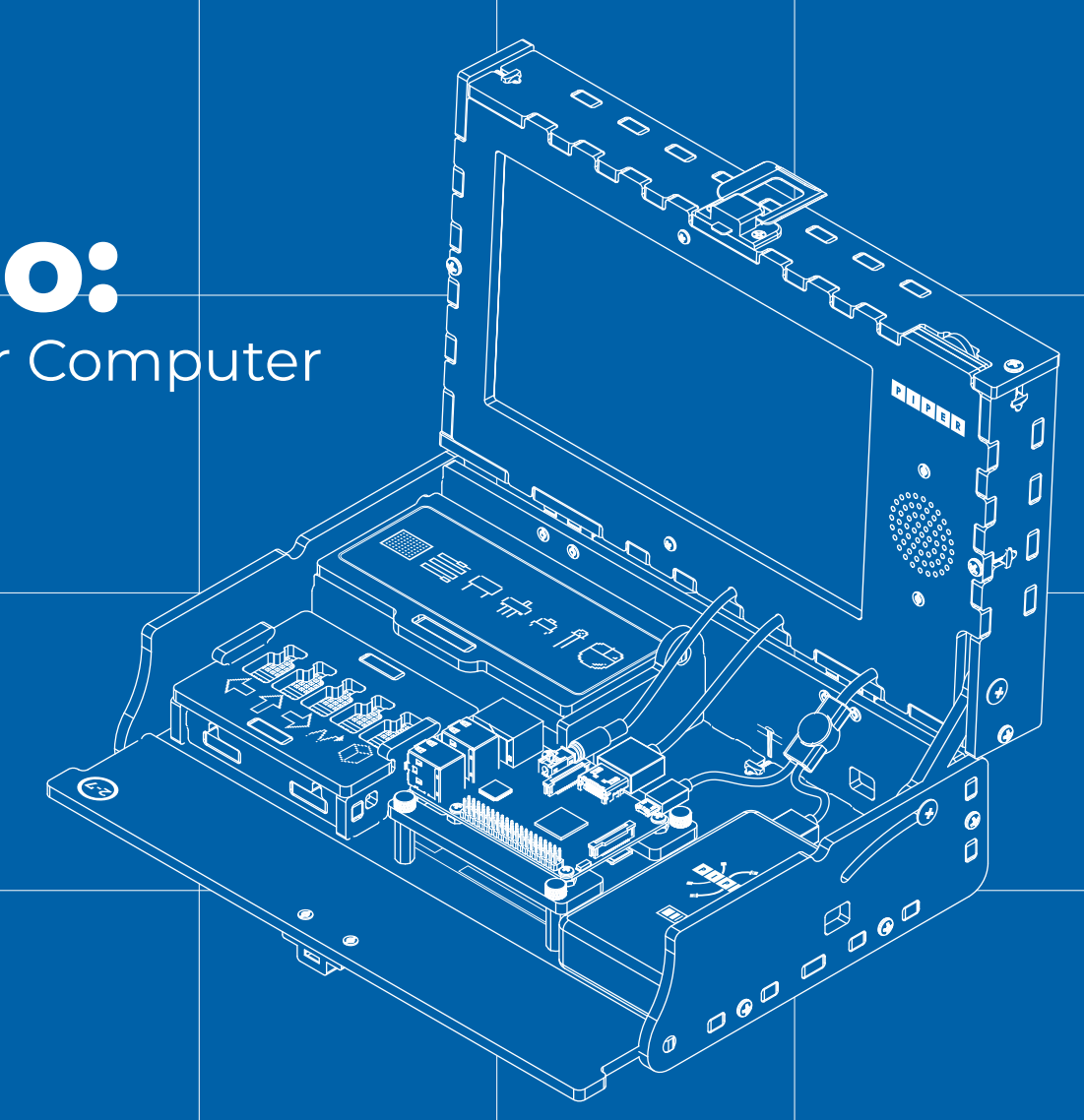


Mission Zero:

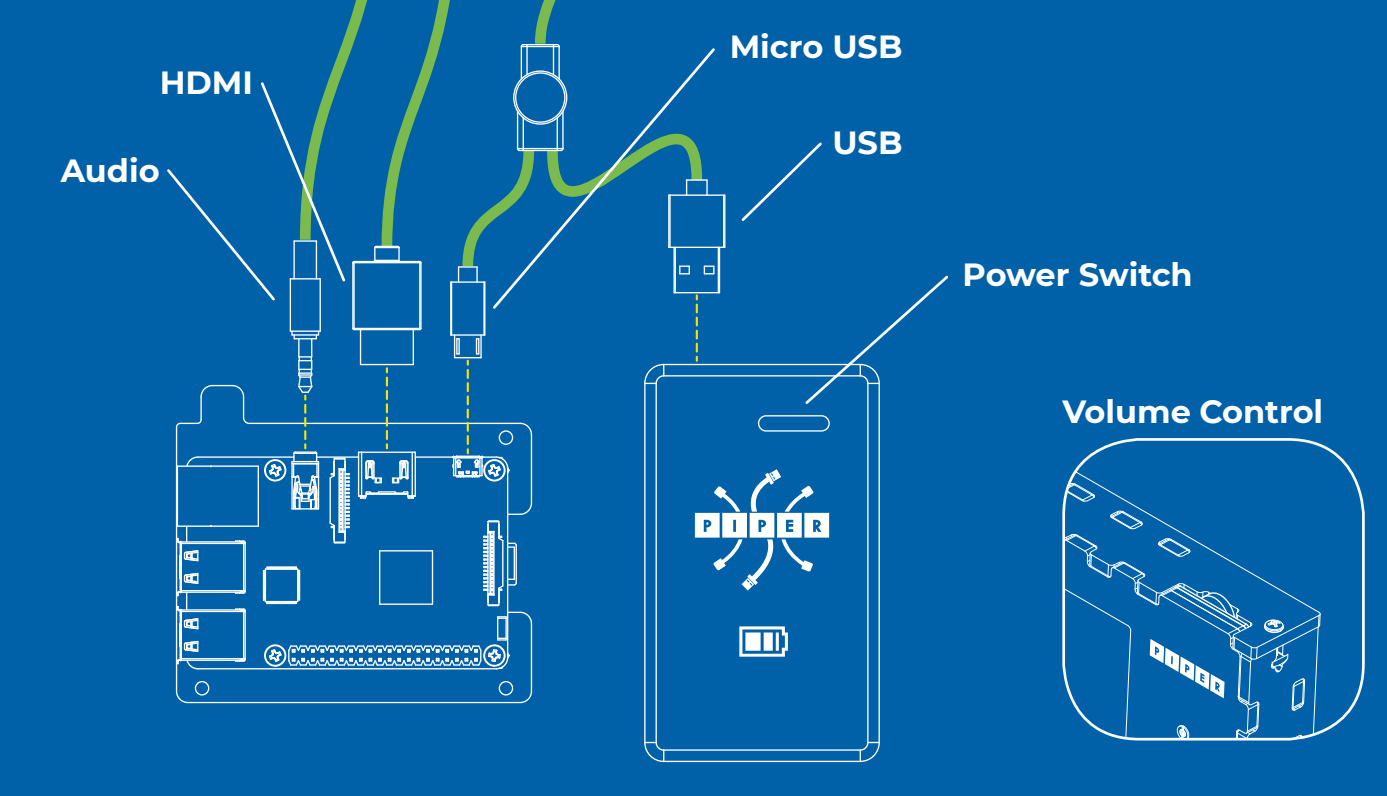
The blueprint to your Piper Computer



! Before you start building your Piper Computer Kit, charge the Battery Pack using the included Micro USB Cable and Charger. This process may take several hours.

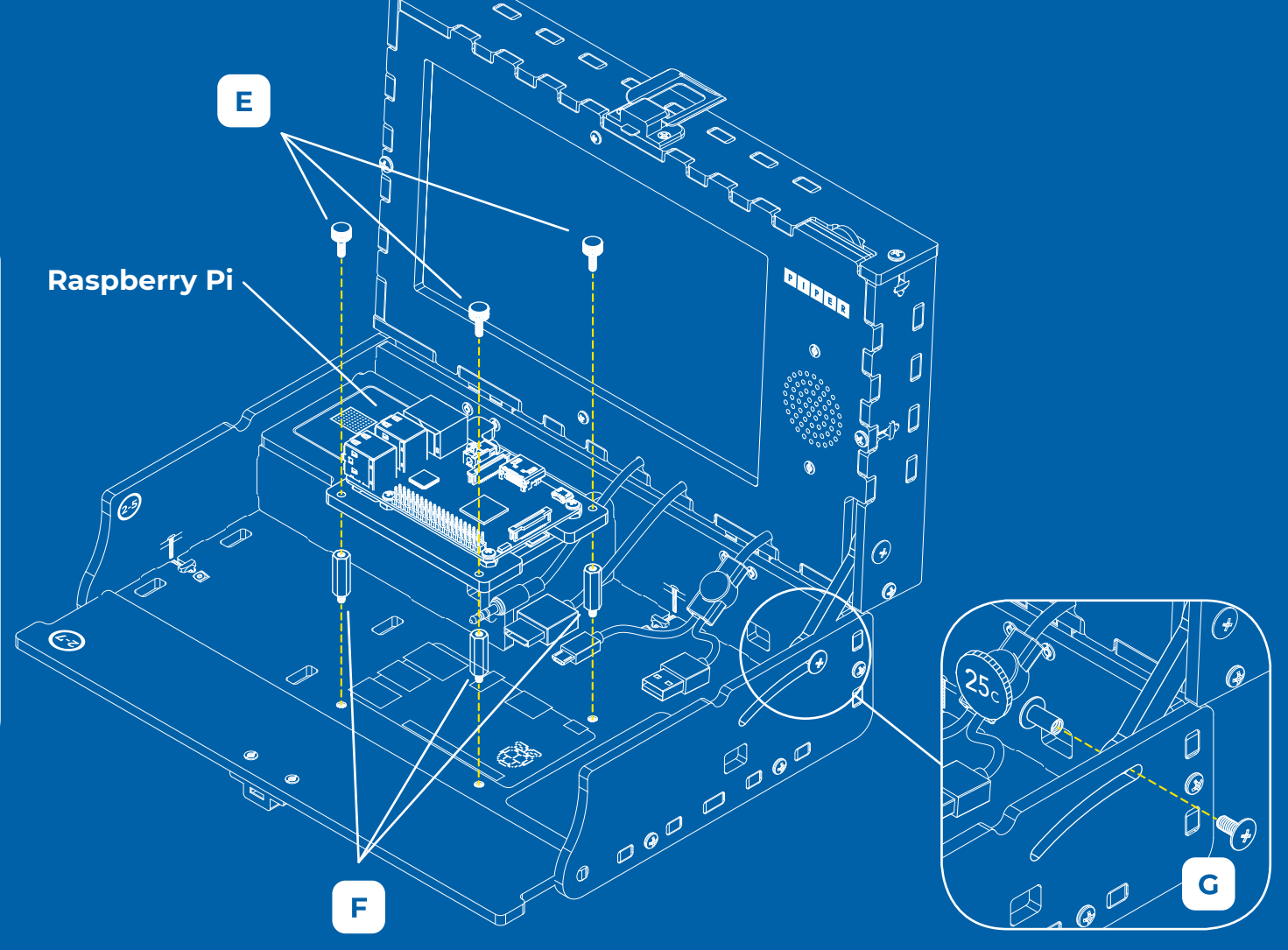
4.3

- Raspberry Pi
- Battery



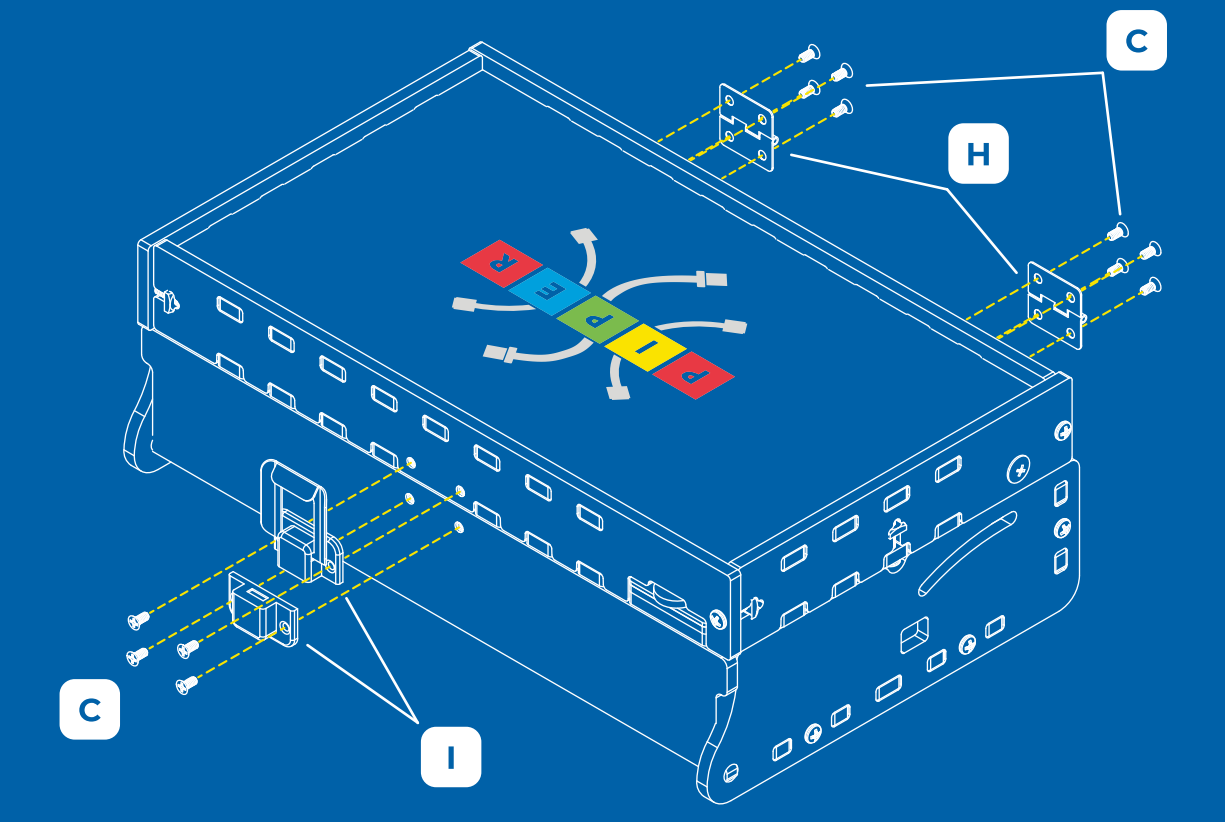
4.2

- Raspberry Pi



4.1

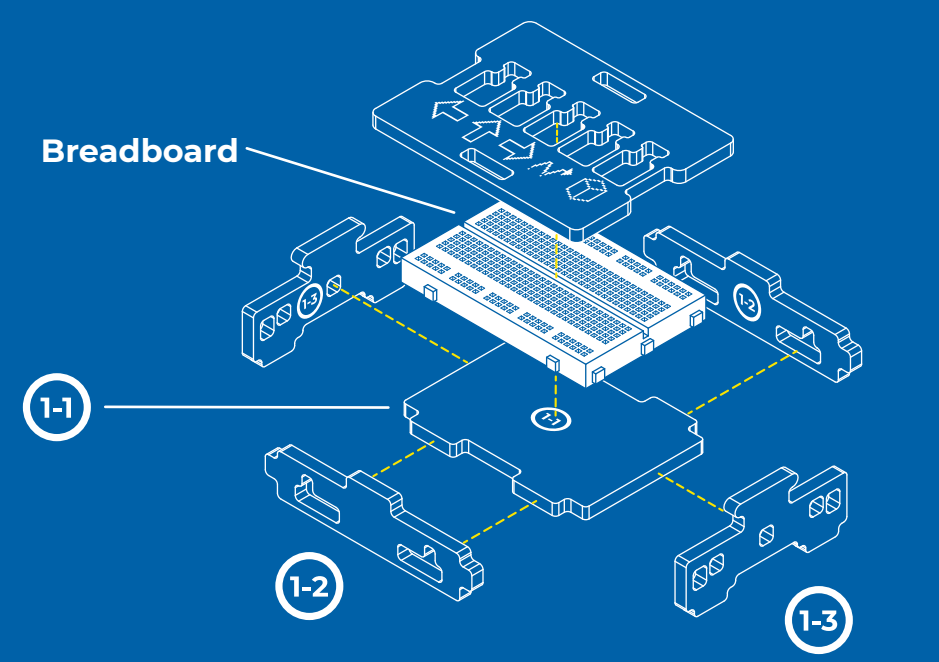
- C
- H
- I



1.

1.1

- Breadboard

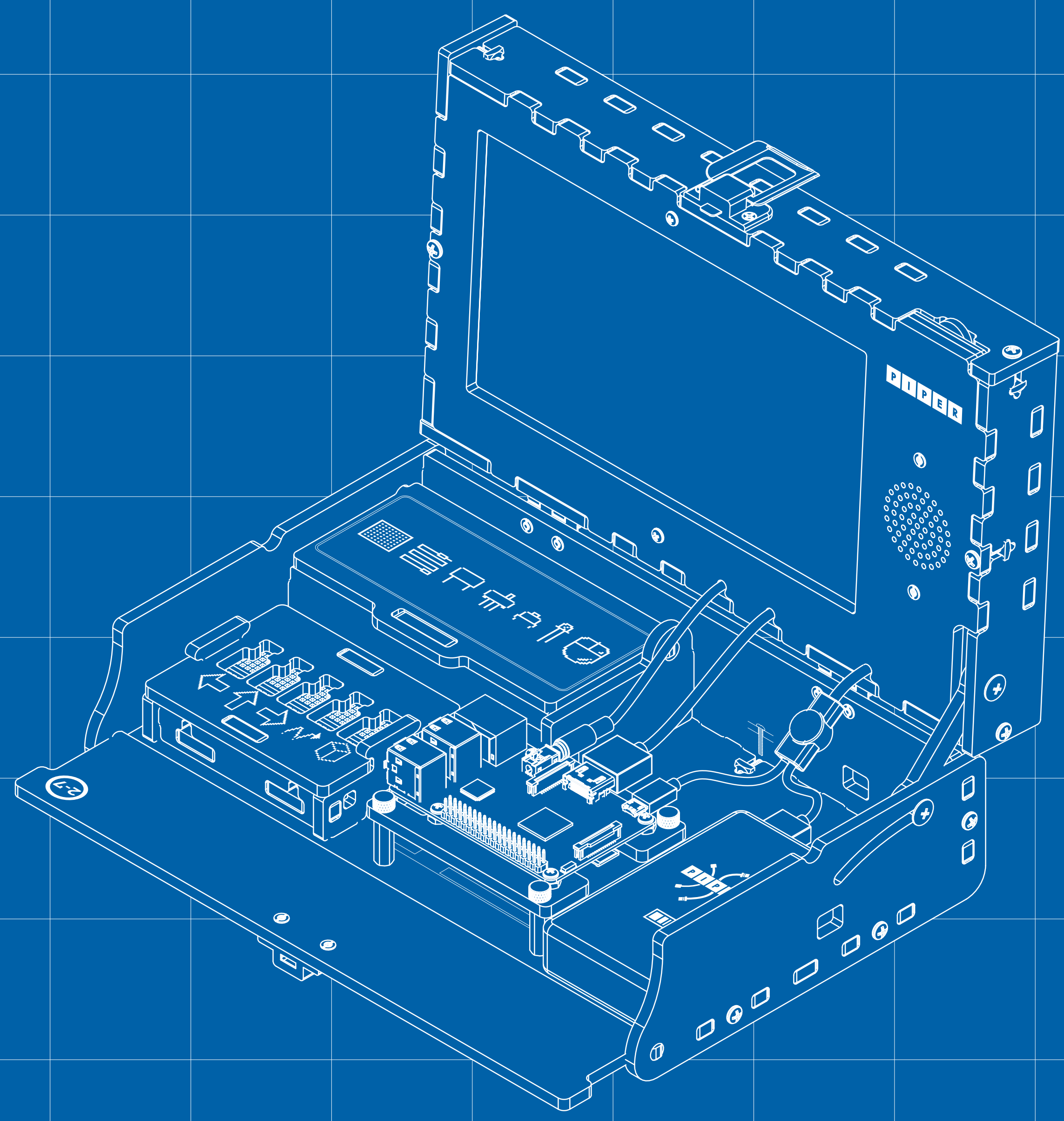


Hardware Inventory:

A Nut Scale: 1:1	B Screw Scale: 1:1	C Screw Scale: 1:1
D Screw Scale: 1:1	E Thumb Screw Scale: 1:1	F Standoff Scale: 1:1
G Binders Scale: 1:1	H Hinge	I Latch

Electronics Inventory:

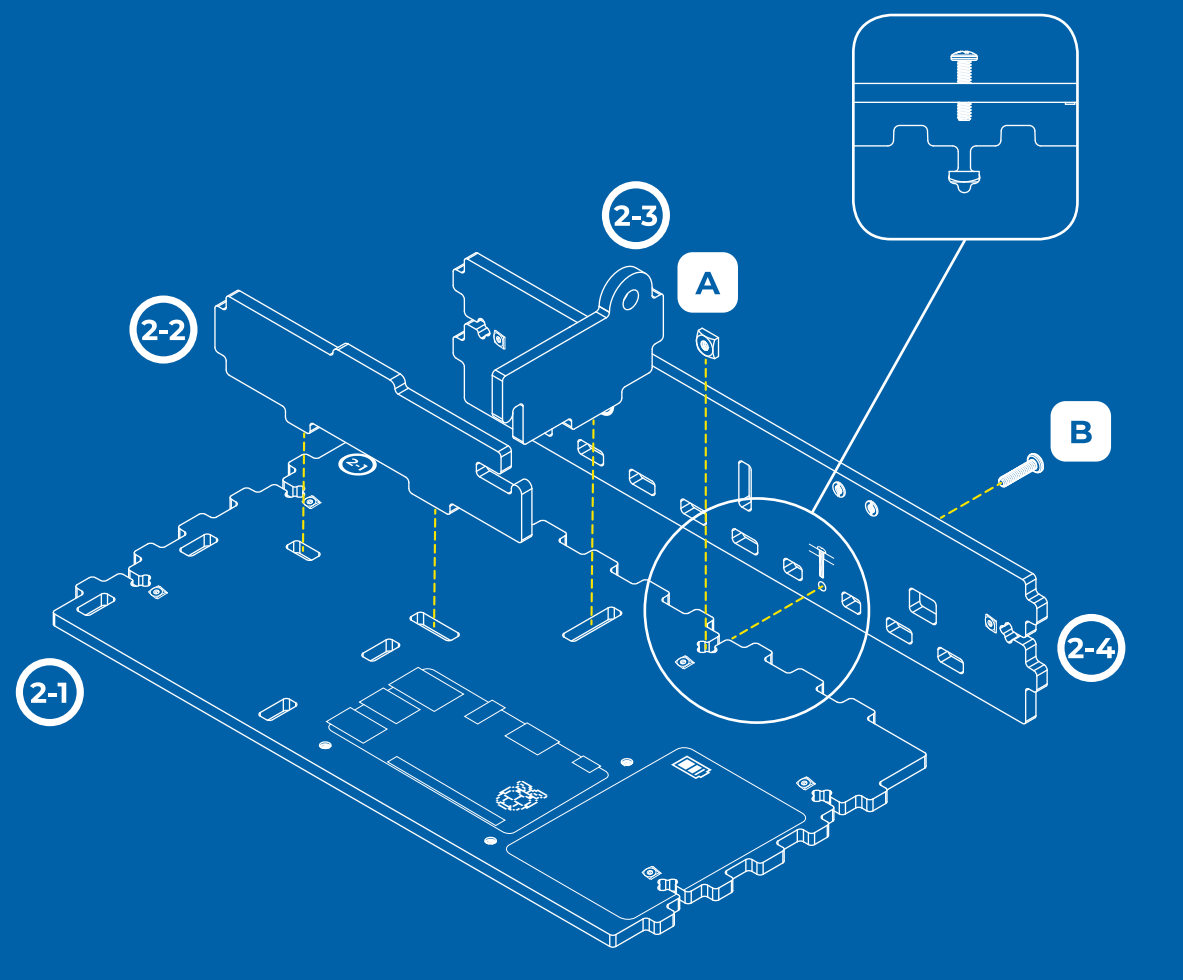
Breadboard	Screen	Amplifier
Speaker	HDMI Cable	Power Harness
Raspberry Pi	Battery	Charger



2.

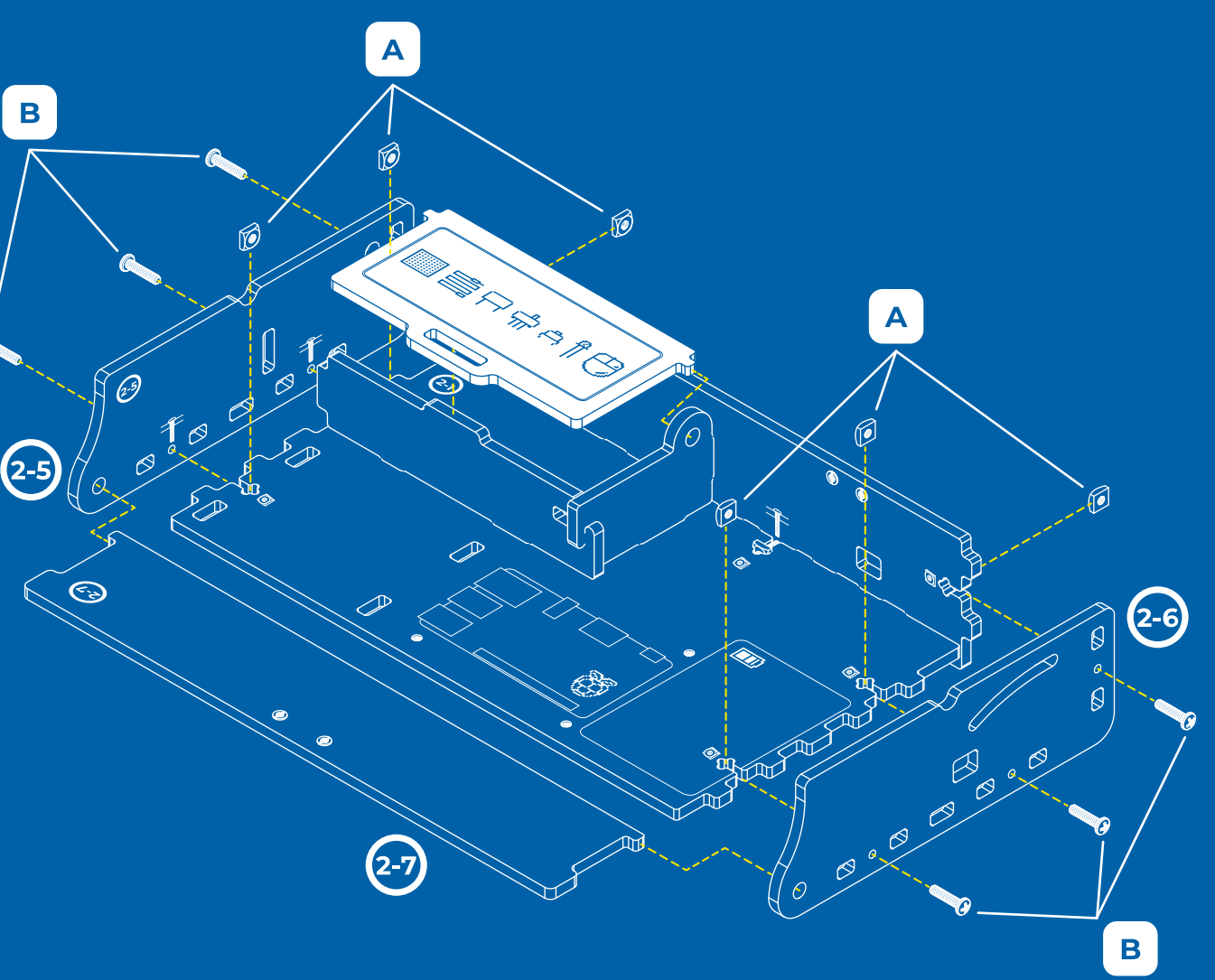
2.1

- A
- B



2.2

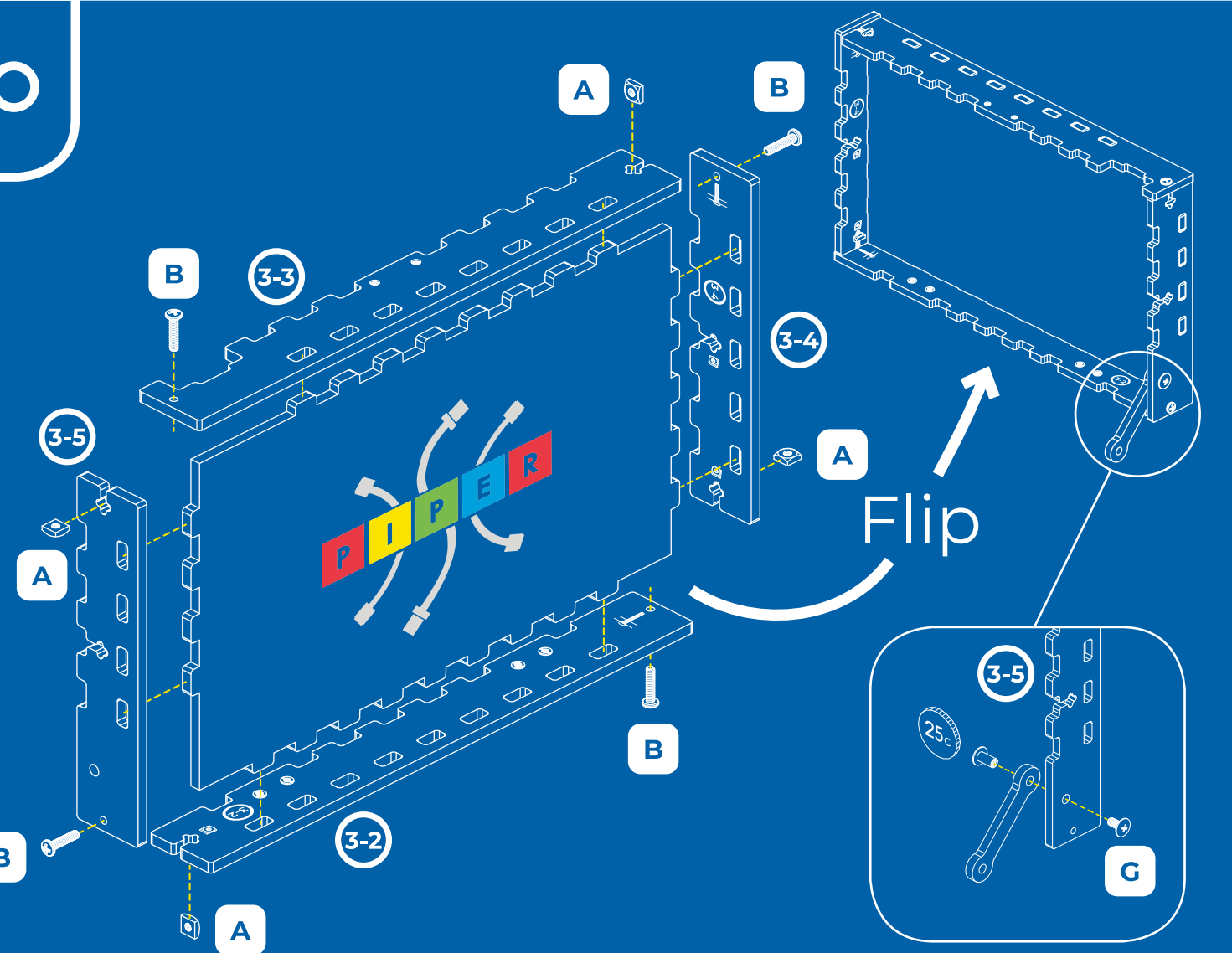
- A
- B



3.

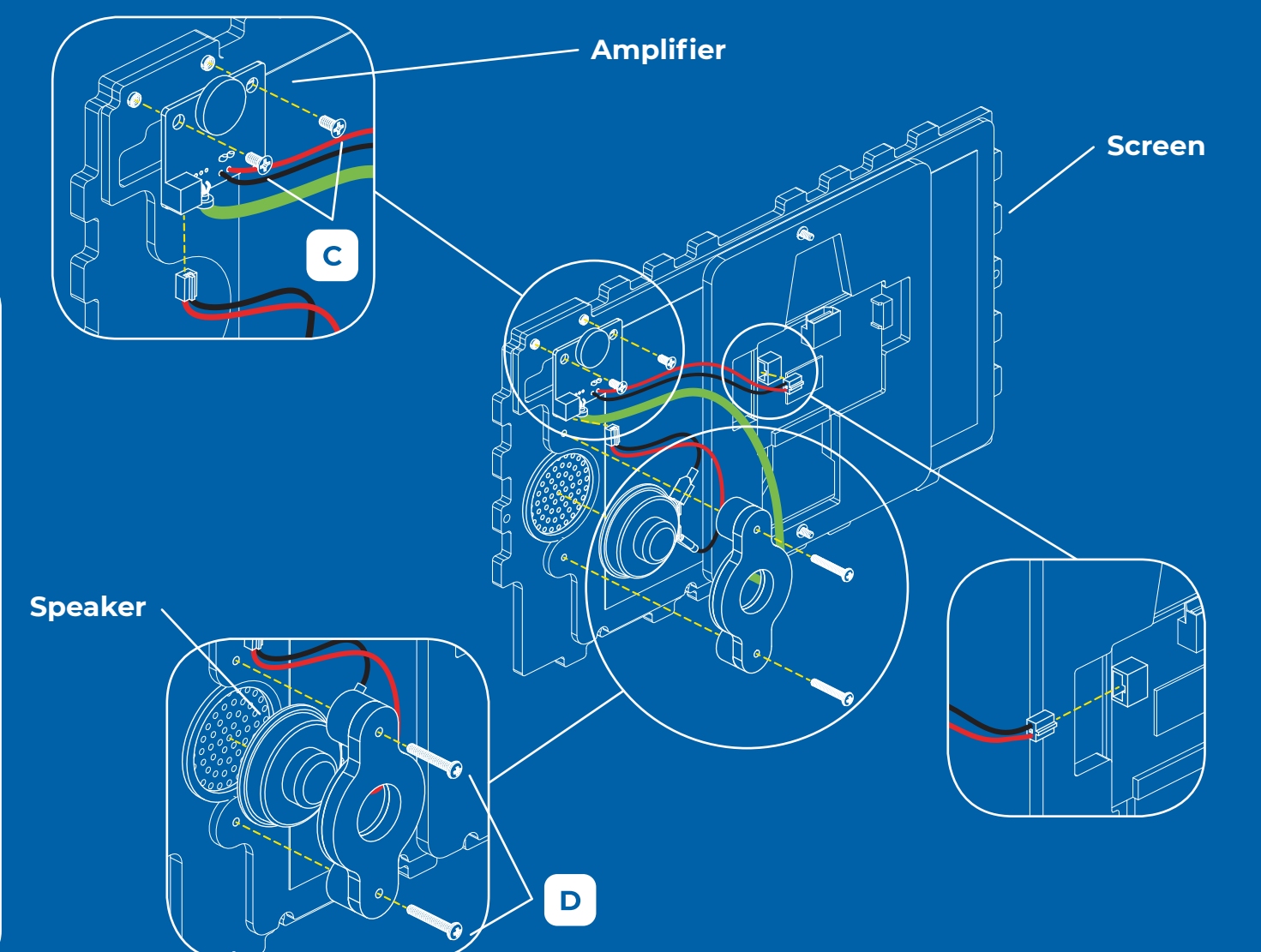
3.1

- A
- B
- C



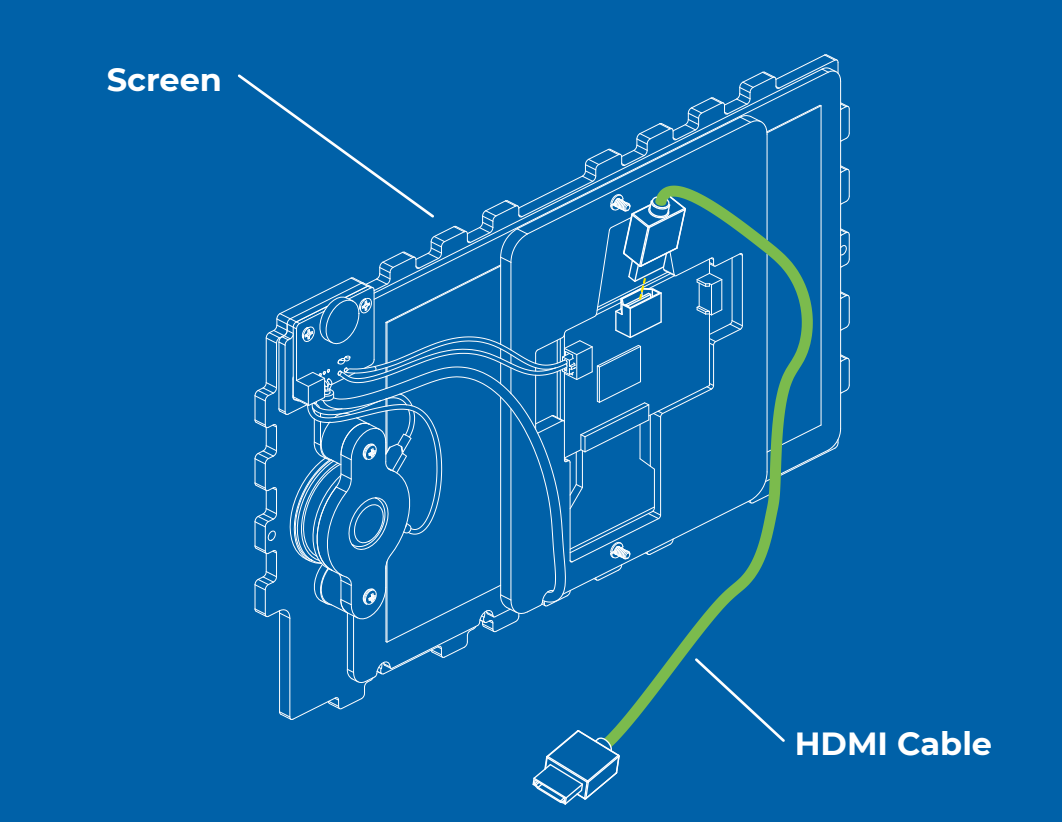
3.2

- C
- D
- Screen
- Amplifier
- Speaker



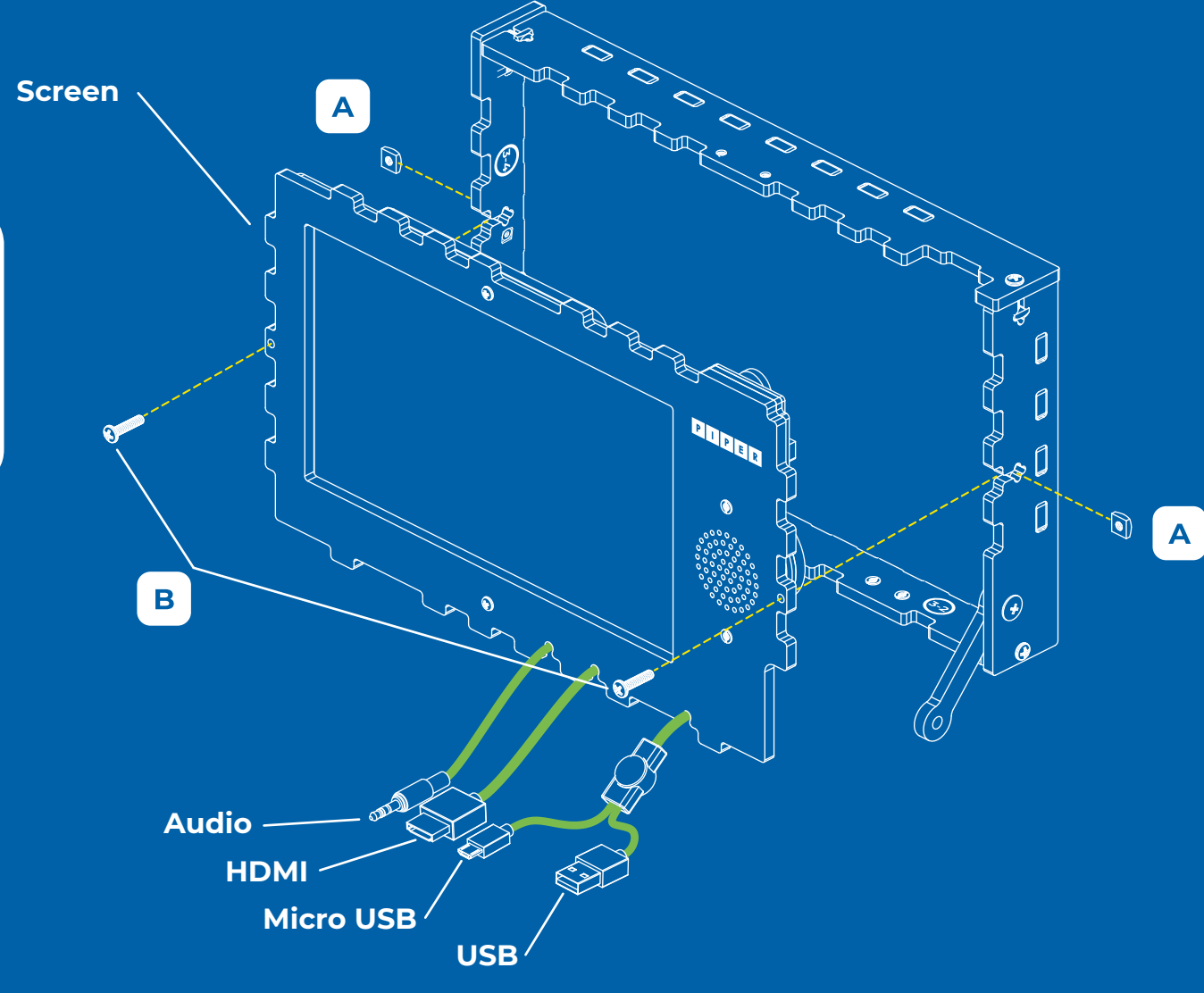
3.3

- Screen
- HDMI Cable



3.5

- A
- B



3.4

- Screen
- Power Harness

