



# Mission Control

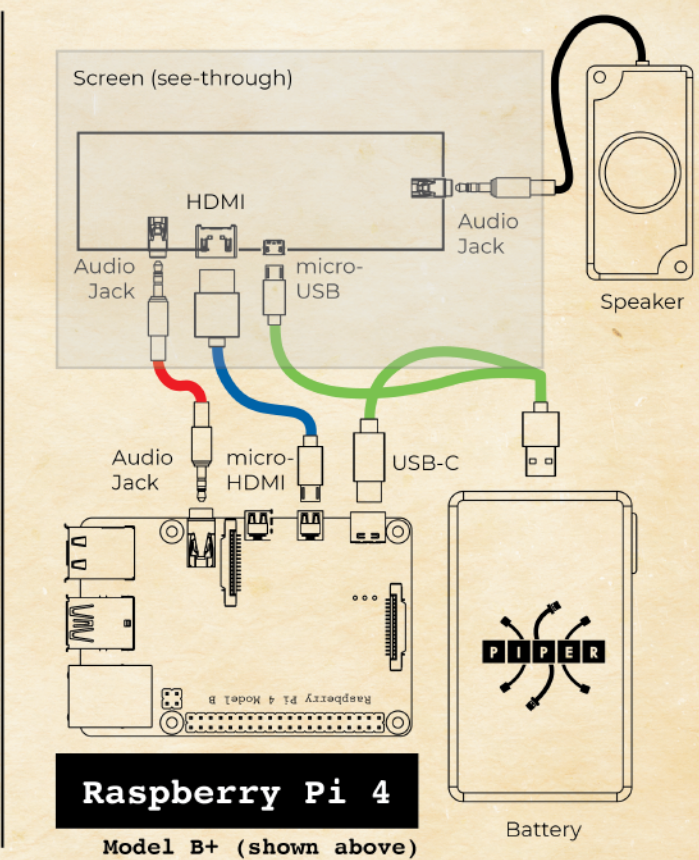
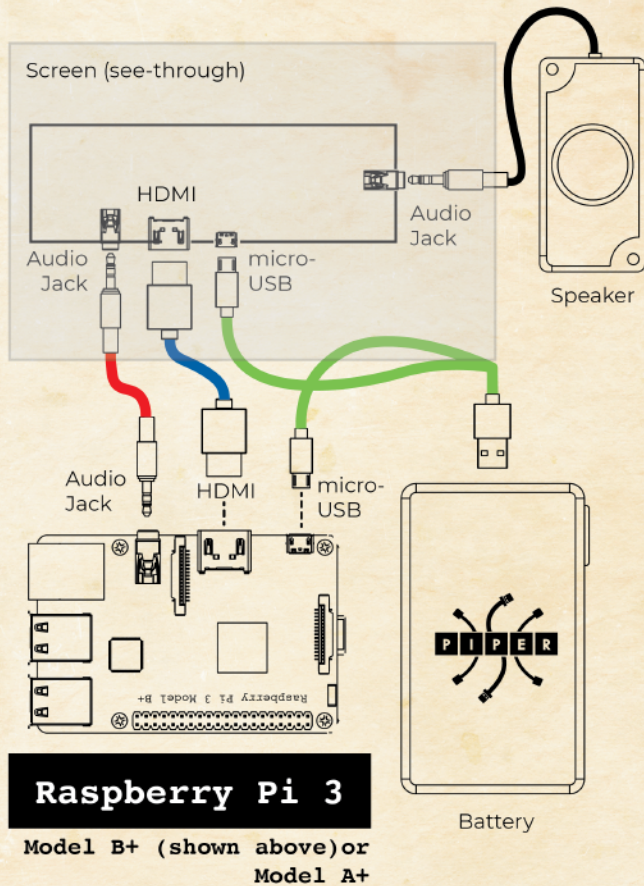
San Francisco, California  
USA, Earth



Dear Piperbot,

You have been selected for a top secret objective. Our Mission Control engineers have been working tirelessly to optimize your control systems. To use them for missions, you must first figure out exactly what machinery the engineers have installed for you. Start by looking at your microcomputer. Does it say **Raspberry Pi 3** or **Raspberry Pi 4**?

Now, look at the **BLACK** cables in your kit. Do the ends match the **GREEN** power Y-cable, **RED** audio cable, and **BLUE** HDMI cable you for your microcomputer below?



All set? You're ready to get started. Head over to your blueprint and start building. Use the diagrams above on STEP 4, and good luck! The fate of the world is in your hands.

- All of Earthkind