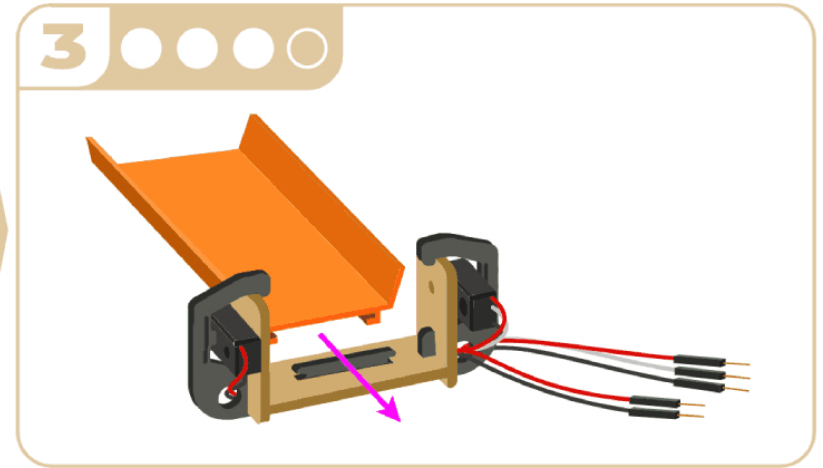
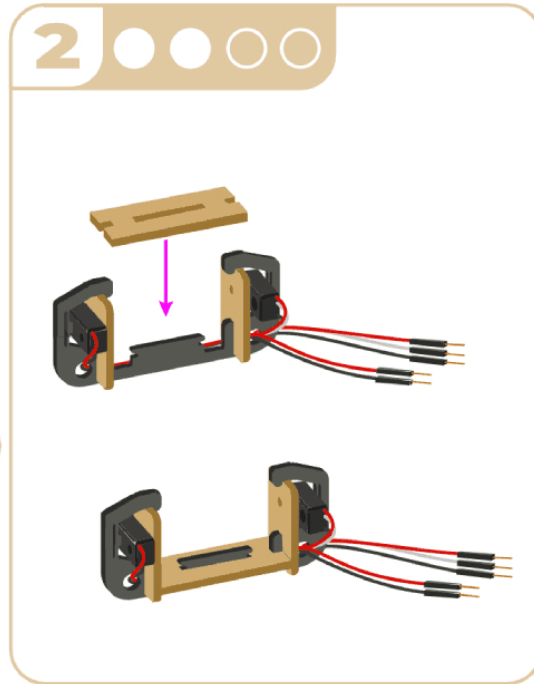
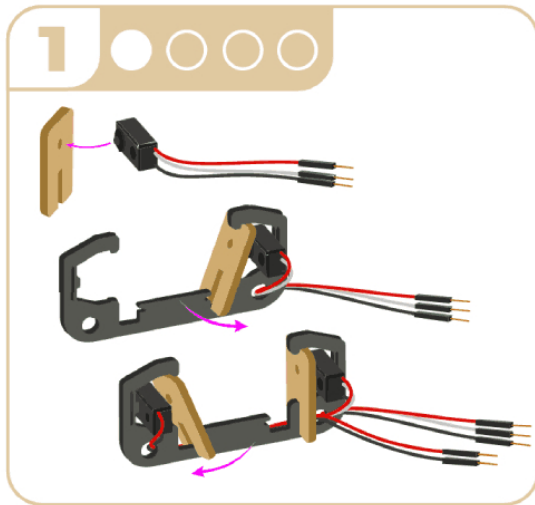
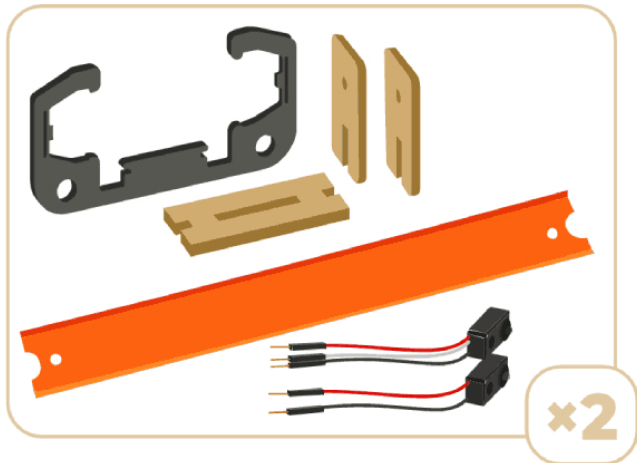


# Mission:

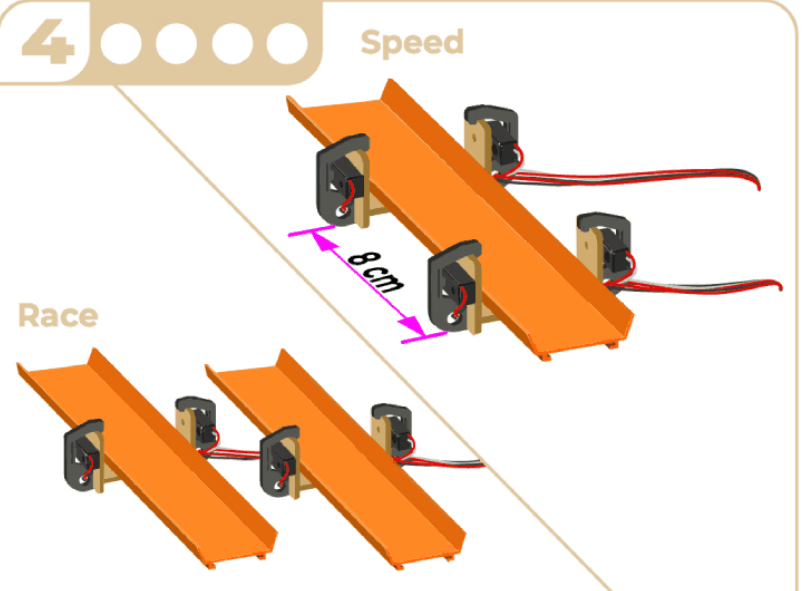
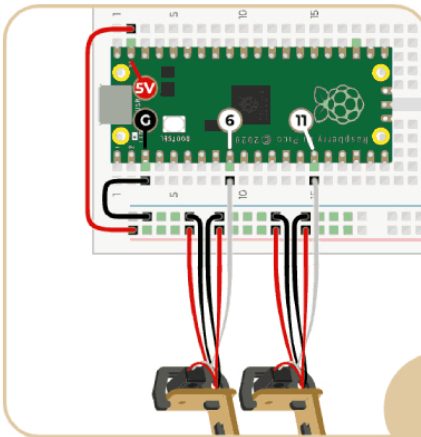
Build Your Beam Break Sensors



## INVENTORY:



## CIRCUIT:



After assembly, head to **Piper Make** ([make.playpiper.com](https://make.playpiper.com))

